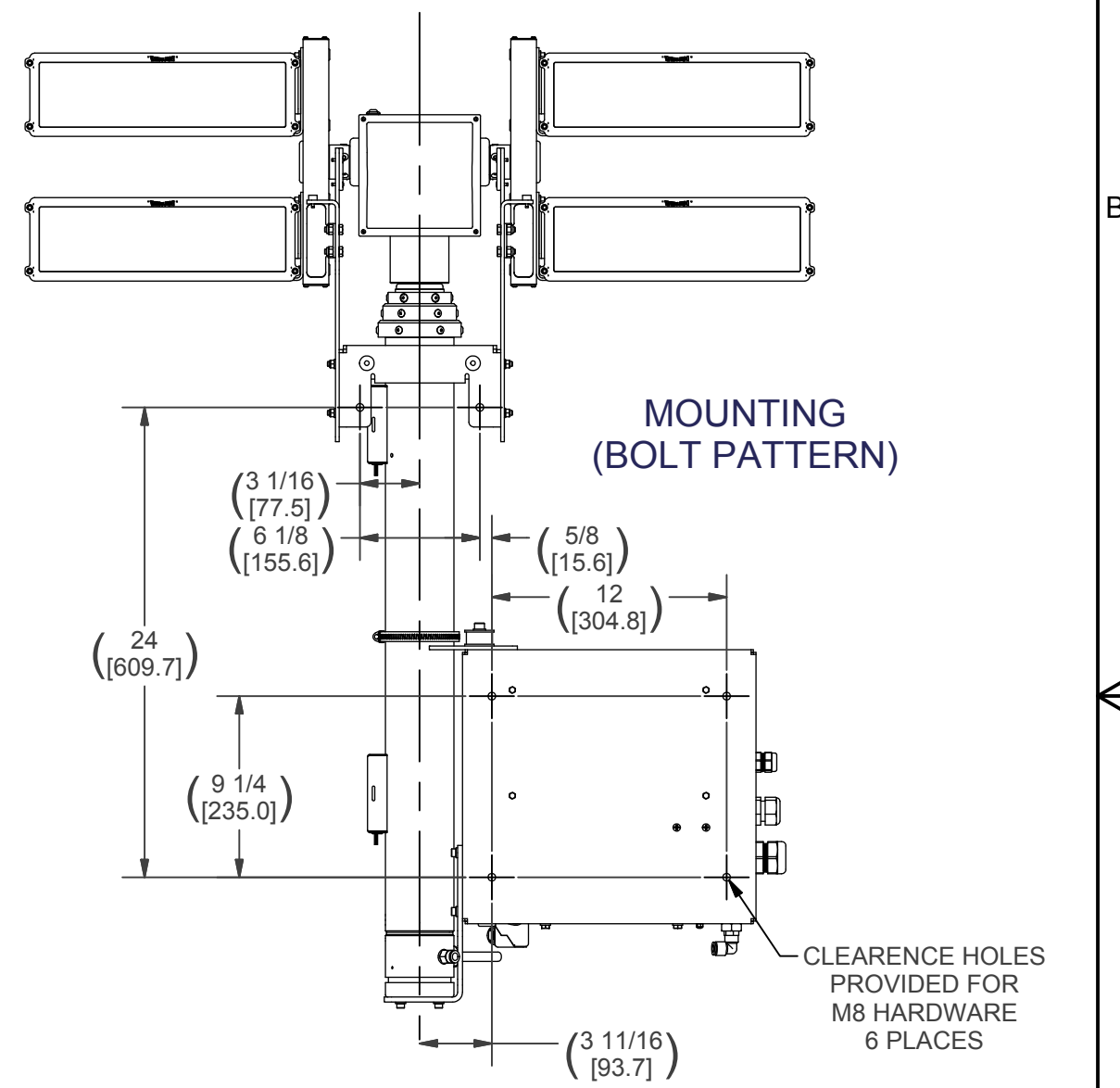
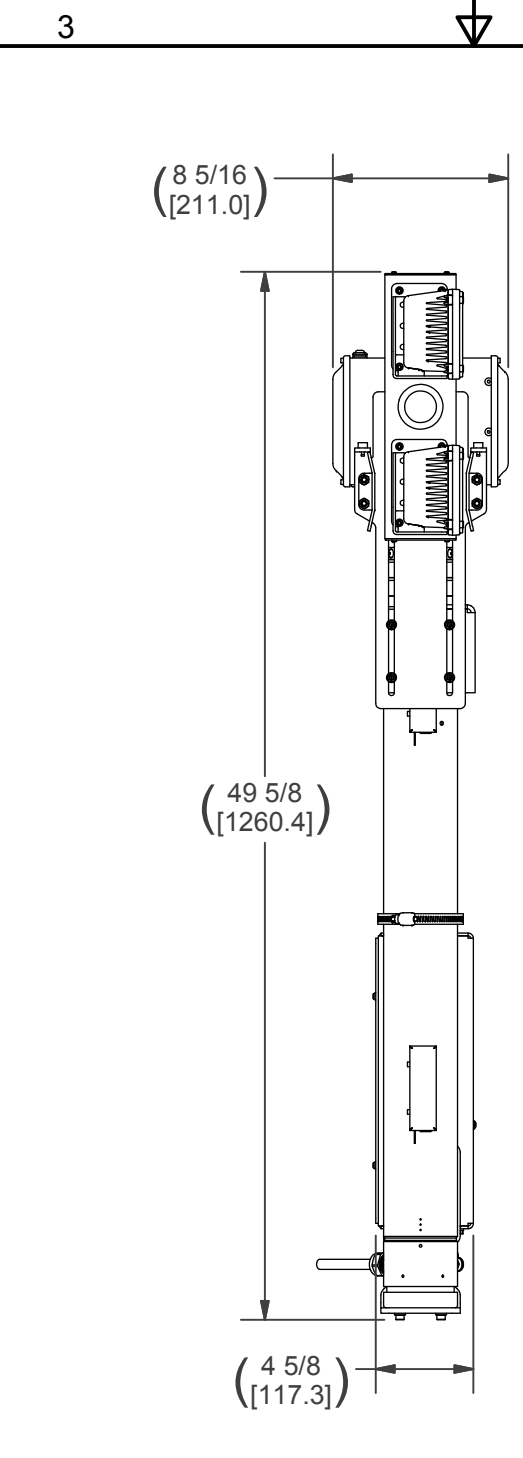
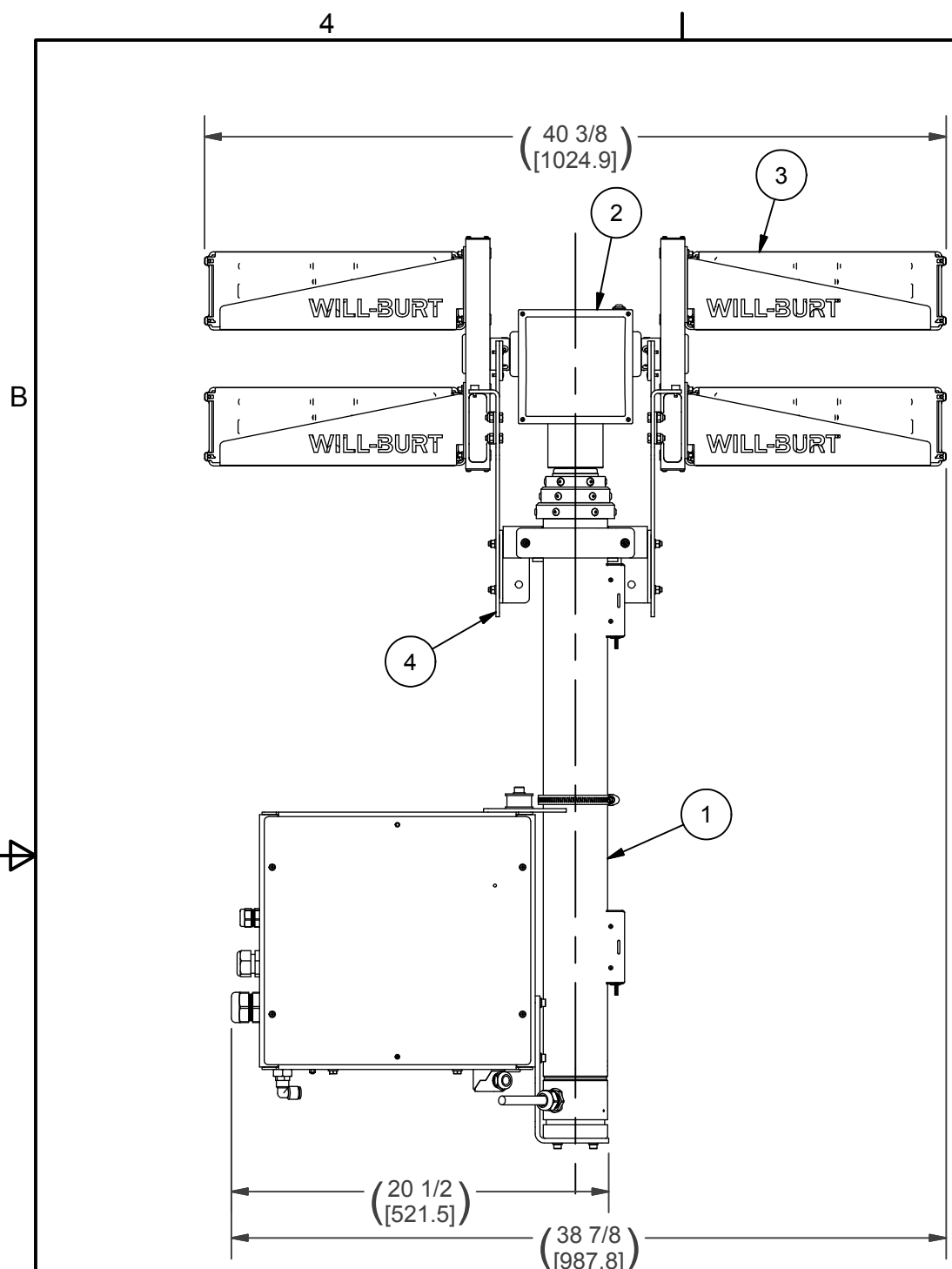


REVISION HISTORY				
ECN	REV	DESCRIPTION	DATE	APPROVED
13556	00	INITIAL RELEASE	3/10/2017	RCC



BOM			
ITEM	QTY	PART NUMBER	DESCRIPTION
1	1	4937501	VRT BASE ASM, 2.3 SIDE MNT
2	1	4548324	RCP , ASSEMBLY, NSC, LOOK-UP LIGHT
3	1	4597202	LED 600W (4 X 150) WHL LIGHT KIT 12V FLD
4	1	4937301	SADDLE, NS COMPLETE
5	1	4558910	NSC LABEL KIT
6	1	4938601	CARTON W/FOAM FOR VRT7.5 SIDE MOUNT
7	1	4938602	PALLET/ VRT7.5 SIDE MOUNT
8	1	TP-5319701	OPERATOR'S MANUAL
9	1	WD-87050	WIRING DIAGRAM (NOT SHOWN)

APPROX. WT:105.0 lbmass
 THIRD ANGLE PROJECTION

UNLESS OTHERWISE SPECIFIED DIMENSIONS ARE IN INCHES.
 TOLERANCES ON DECIMALS ANGLES
 0 = ± 0.030 ± 1/2°
 00 = ± 0.010
 000 = ± 0.005
 FRACTIONAL ± 1/64"
 1. ALL INSIDE EDGES TO HAVE .005" TO .035" FILLETS.
 2. ALL OUTSIDE EDGES TO HAVE .005" TO .015" CHAMFER OR RADIUS.
 125 ON ALL MACHINED SURFACES

PROPRIETARY AND CONFIDENTIAL
 THE INFORMATION CONTAINED IN THIS DRAWING IS THE SOLE PROPERTY OF THE WILL-BURT COMPANY ANY REPRODUCTION IN PART OR WHOLE WITHOUT THE WRITTEN PERMISSION OF THE WILL-BURT COMPANY IS PROHIBITED.

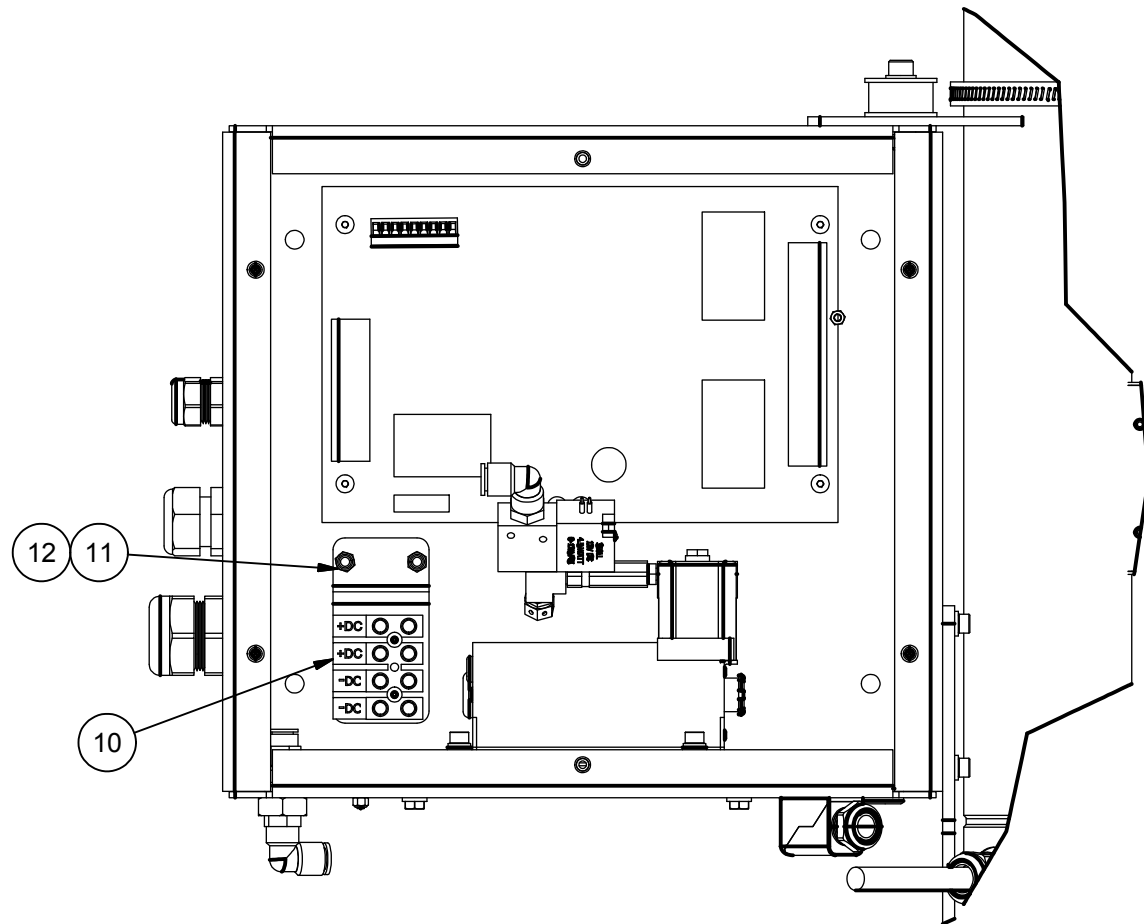
APPROVALS	DATE
DRAWN RCC	3/10/2017
CHECKED	

WILL-BURT AN EMPLOYEE OWNED COMPANY
 ORRVILLE, OH

TITLE
VRT 7.5 600W 4x150W WHL FLD/FLD 12VDC SHN

SIZE	DWG NO	REV
B	720087070	00

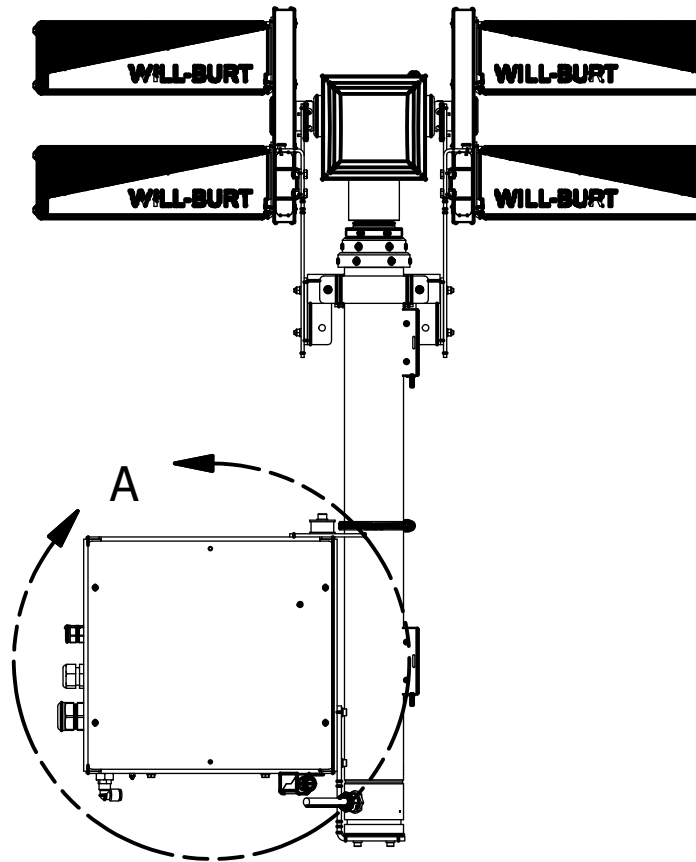
PN: 720087070 SHEET 1 OF 2



DETAIL A

NOTES:

- 1 INSTALL 5365601, ROUTE WIRES PER WD-87050.
- 2 RETURN 4965102 BACK TO INVENTORY.
- 3 APPLY LOCTITE #242 TO THREADS.
- 4 NOTE COVER ORIENTATION.
- 5 SEE WIRING DIAGRAM WD-87050.



BOM			
ITEM	QTY	PART NUMBER	DESCRIPTION
10	1	5365601	TERMINAL PANEL, 600W MAX, 12VDC
11	2	2356	NUT NYLOCK #10-32 HX 18-8 SSTL
12	2	2530	SCR MCH #10-32X0.500 PN HD PHL SSTL MIL

APPROX. WT:105.0 lbmass

THIRD ANGLE PROJECTION



UNLESS OTHERWISE SPECIFIED DIMENSIONS ARE IN INCHES.
 TOLERANCES ON DECIMALS ANGLES
 0 = ± 0.030 ± 1/2°
 00 = ± 0.010
 000 = ± 0.005
 FRACTIONAL ± 1/64"
 1. ALL INSIDE EDGES TO HAVE .005" TO .035" FILLETS.
 2. ALL OUTSIDE EDGES TO HAVE .005" TO .015" CHAMFER OR RADIUS.
 125√ ON ALL MACHINED SURFACES

PROPRIETARY AND CONFIDENTIAL
 THE INFORMATION CONTAINED IN THIS DRAWING IS THE SOLE PROPERTY OF THE WILL-BURT COMPANY ANY REPRODUCTION IN PART OR WHOLE WITHOUT THE WRITTEN PERMISSION OF THE WILL-BURT COMPANY IS PROHIBITED.

W3 AN EMPLOYEE OWNED COMPANY
 WILL-BURT ORRVILLE, OH

TITLE
**VRT 7.5 600W 4x150W WHL
 FLD/FLD 12VDC SHN**

APPROVALS	DATE
DRAWN RCC	3/10/2017
CHECKED	

SIZE	DWG NO	REV
B	720087070	00
PN: 720087070		SHEET 2 OF 2