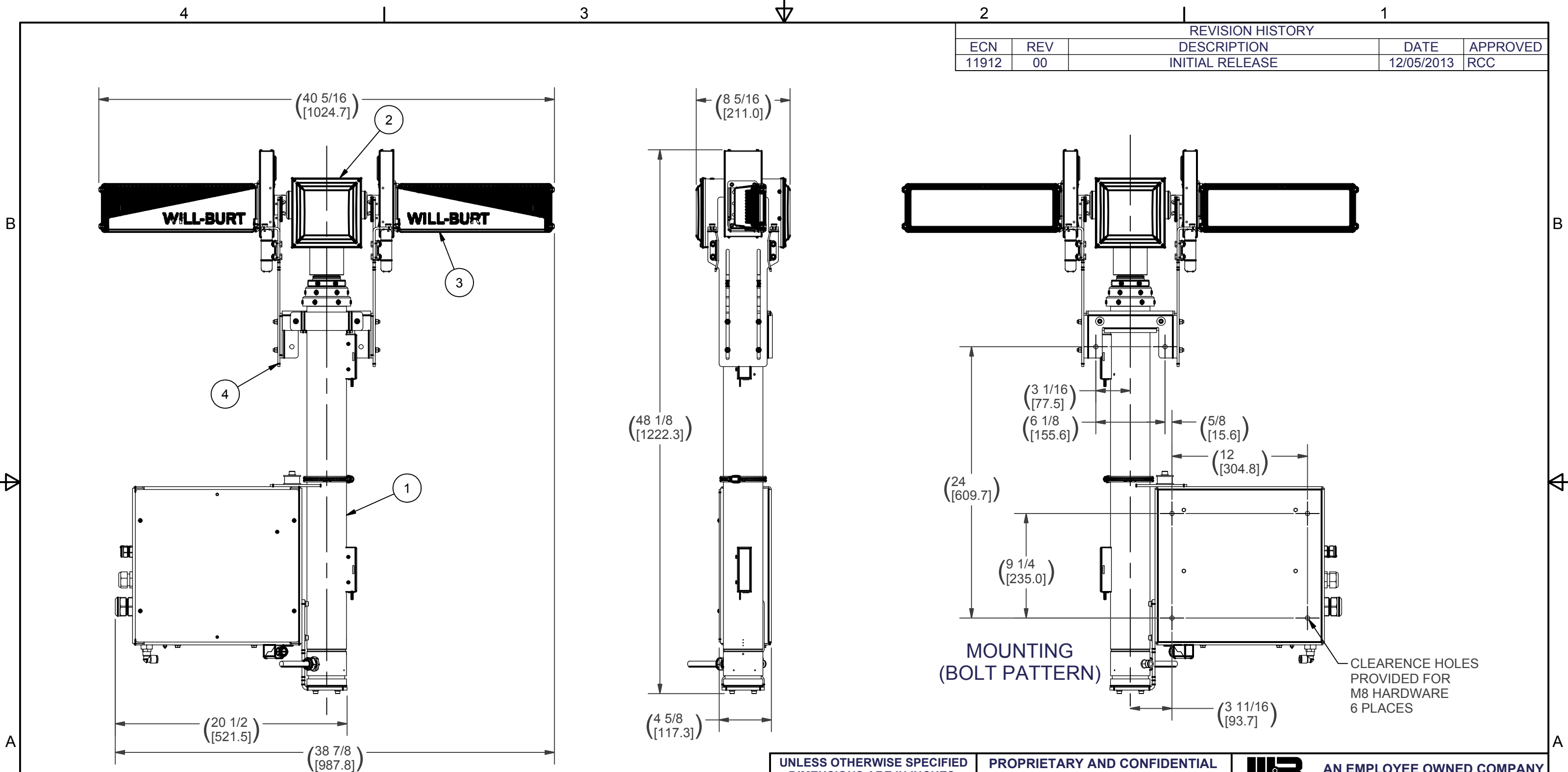


REVISION HISTORY				
ECN	REV	DESCRIPTION	DATE	APPROVED
11912	00	INITIAL RELEASE	12/05/2013	RCC



BOM			
ITEM	QTY	PART NUMBER	DESCRIPTION
1	1	4937501	VRT BASE ASM, 2.3 SIDE MNT
2	1	4548301	NSC RCP, LIGHTS ONLY
3	1	4597105	WHELEN LED 2LT 300W(2-150W12VDC)FLD-SPD
4	1	4937301	SADDLE, NS COMPLETE
5	1	4558901	NSC LABEL KIT
6	1	4938601	CARTON W/FOAM FOR VRT7.5 SIDE MOUNT
7	1	4938602	PALLET/ VRT7.5 SIDE MOUNT

APPROX. WT:76.5 lbmass

THIRD ANGLE PROJECTION

UNLESS OTHERWISE SPECIFIED
DIMENSIONS ARE IN INCHES.

TOLERANCES ON DECIMALS ANGLES

0 = ± 0.030 ± 1/2°

00 = ± 0.010

000 = ± 0.005

FRACTIONAL ± 1/64"

1. ALL INSIDE EDGES TO HAVE .005" TO .035" FILLETS.

2. ALL OUTSIDE EDGES TO HAVE .005" TO .015" CHAMFER OR RADIUS.

125° ON ALL MACHINED SURFACES

PROPRIETARY AND CONFIDENTIAL

THE INFORMATION CONTAINED IN THIS DRAWING IS THE SOLE PROPERTY OF THE WILL-BURT COMPANY ANY REPRODUCTION IN PART OR WHOLE WITHOUT THE WRITTEN PERMISSION OF THE WILL-BURT COMPANY IS PROHIBITED.

APPROVALS	DATE
DRAWN RCC	12/5/2013
CHECKED	

W3 AN EMPLOYEE OWNED COMPANY
WILL-BURT ORRVILLE, OH

TITLE
**VRT-7.5 300W (2)X150 WHL
12VDC SPT/FLD SHN**

SIZE	DWG NO	REV
B	720087052	00

PN: 720087052 SHEET 1 OF 1