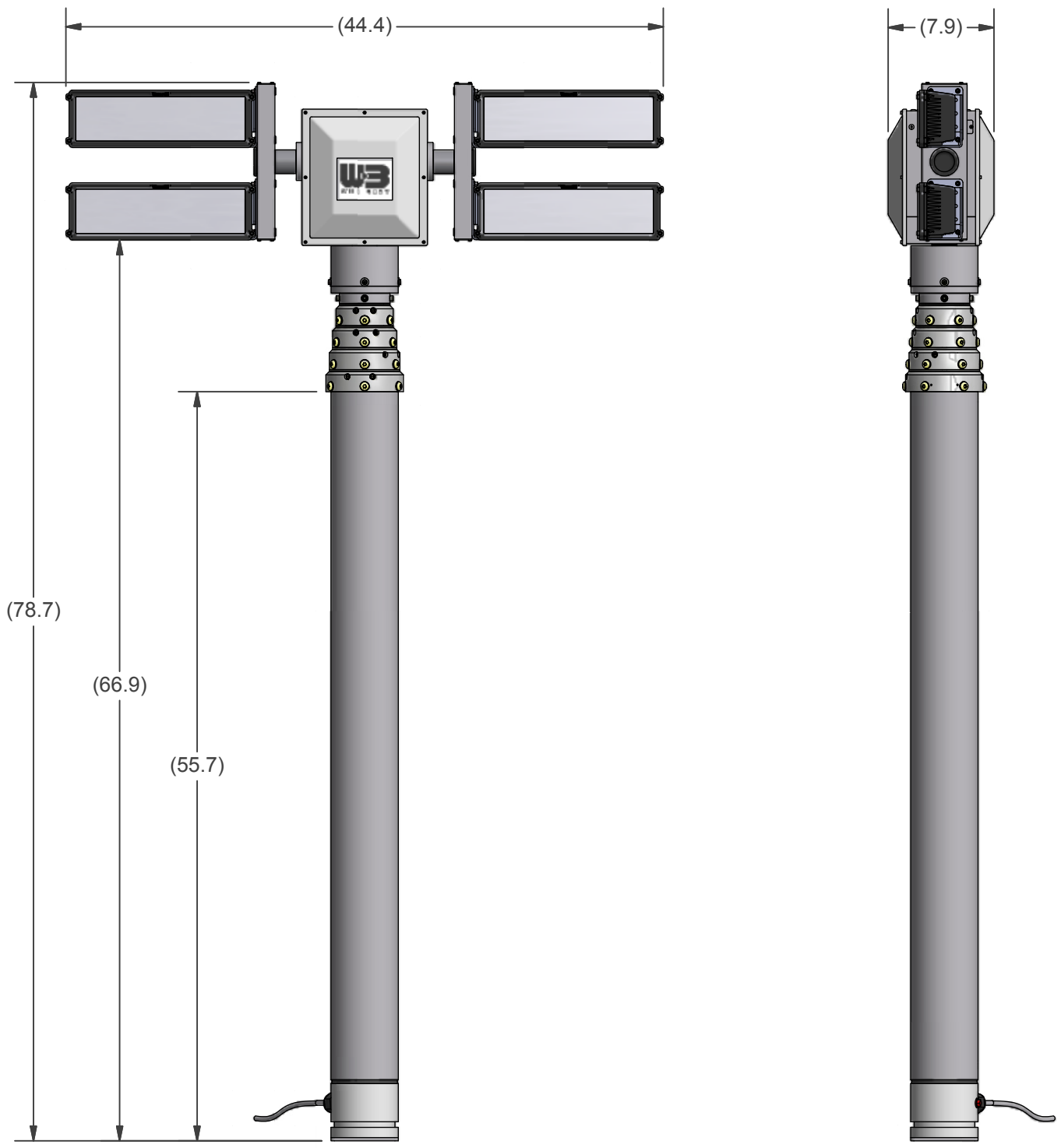


REVISION HISTORY				
ECN	REV	DESCRIPTION	DATE	BY/APPR
10755	00	INITIAL RELEASE	10/21/2011	RCC\
11864	A	RESTRUCTURED BOM	11/06/2013	RCC



NOTES:
 1 APPLY LOCTITE #242 OR EQUAL TO THREADS.

BOM			
ITEM	QTY	PART NUMBER	DESCRIPTION
1	REF	914431	VRT MAST L.D. 5.4-17 IWM
2	1	4742519	RCP ASSEMBLY NS VERTICAL
3	1	4704801	NSP LED 4LT, 600W (4-150W120VAC) WHL FLD/FLD
4	1	4548201	O-RING, BUNA AS568A244
5	REF	914981	5" Base Plate NR
6	1	4267401	POWERLITE VERT. ACCESSORY KIT (Not Shown)
7	1	4356901	FOAM INSERTS AND CARTON KIT (Not Shown)

UNLESS OTHERWISE SPECIFIED
 DIMENSIONS ARE IN INCHES.

TOLERANCES ON DECIMALS ANGLES
 0 = ± 0.030 ± 1/2°
 00 = ± 0.010
 000 = ± 0.005

FRACTIONAL ± 1/64"

1. ALL INSIDE EDGES TO HAVE
 .005" TO .035" FILLETS.
 2. ALL OUTSIDE EDGES TO HAVE
 .005" TO .015" CHAMFER OR RADIUS.

125° ON ALL MACHINED SURFACES

APPROX. WT: 119.5 lbmass

THIRD ANGLE PROJECTION

PROPRIETARY AND CONFIDENTIAL
 THE INFORMATION CONTAINED IN THIS
 DRAWING IS THE SOLE PROPERTY OF THE
 WILL-BURT COMPANY ANY REPRODUCTION
 IN PART OR WHOLE WITHOUT THE WRITTEN
 PERMISSION OF THE WILL-BURT COMPANY IS
 PROHIBITED.

APPROVALS	DATE
DRAWN RCC	10/21/2011
CHECKED	

WB AN EMPLOYEE OWNED COMPANY
 WILL-BURT ORRVILLE, OH

TITLE
**VRT-600 WHL LED 110 VAC
 (FLOOD/FLOOD)**

SIZE	DWG NO	REV
B	720030004	A

PN: 720030004 SHEET 1 OF 1