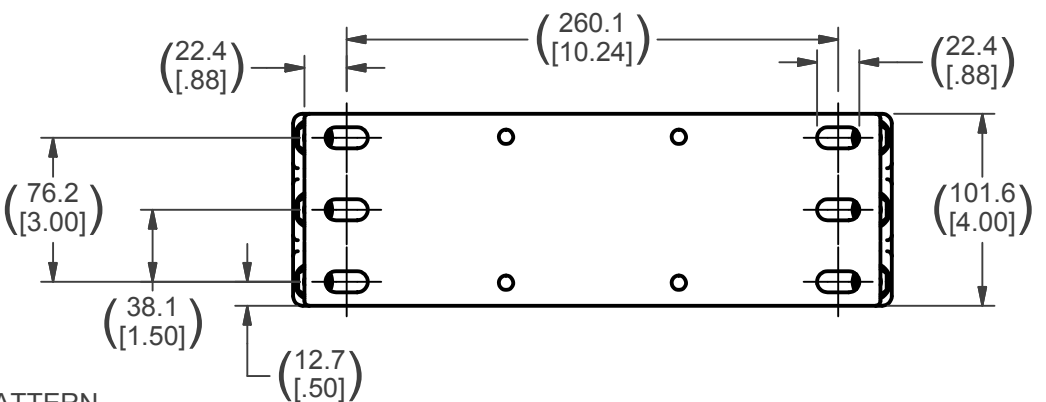
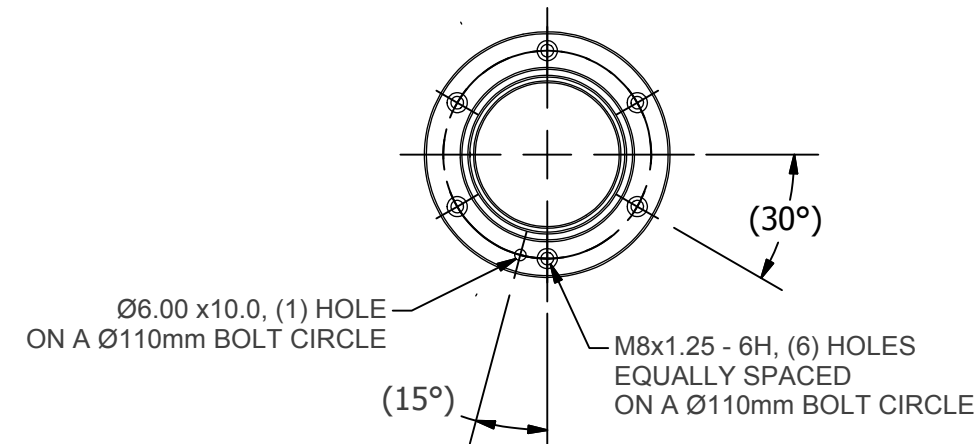
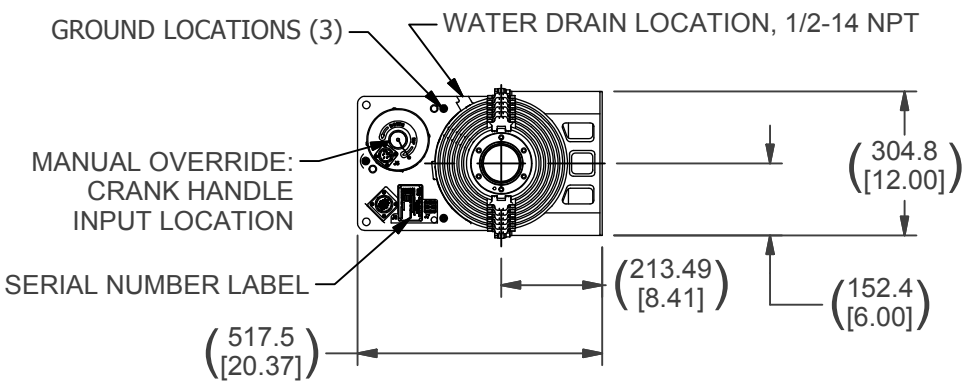
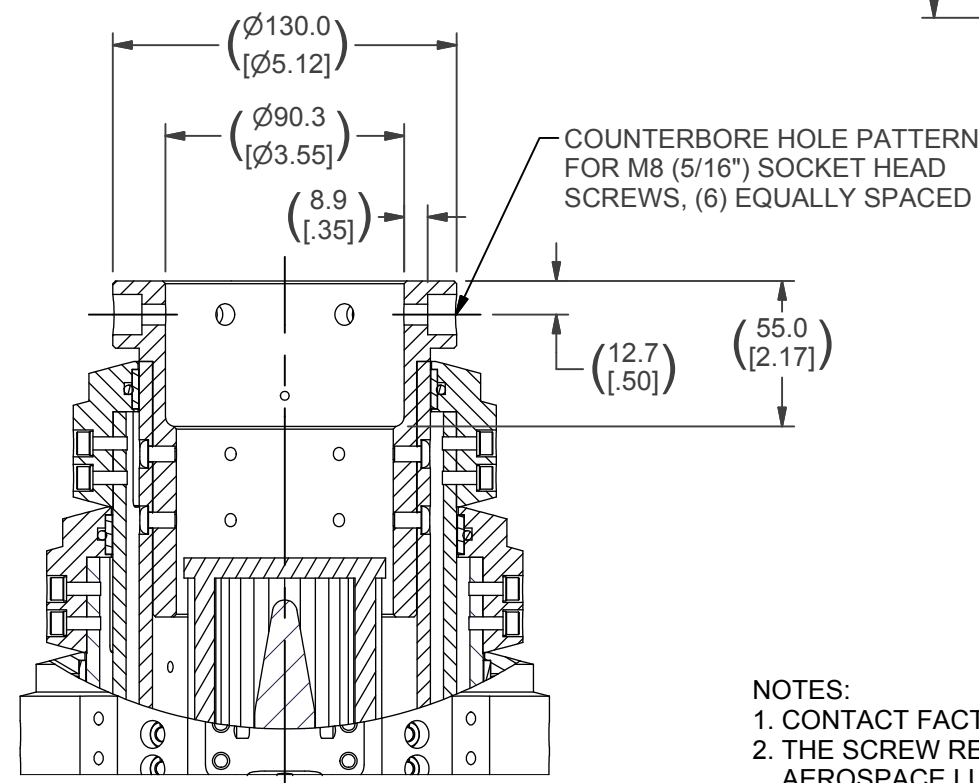
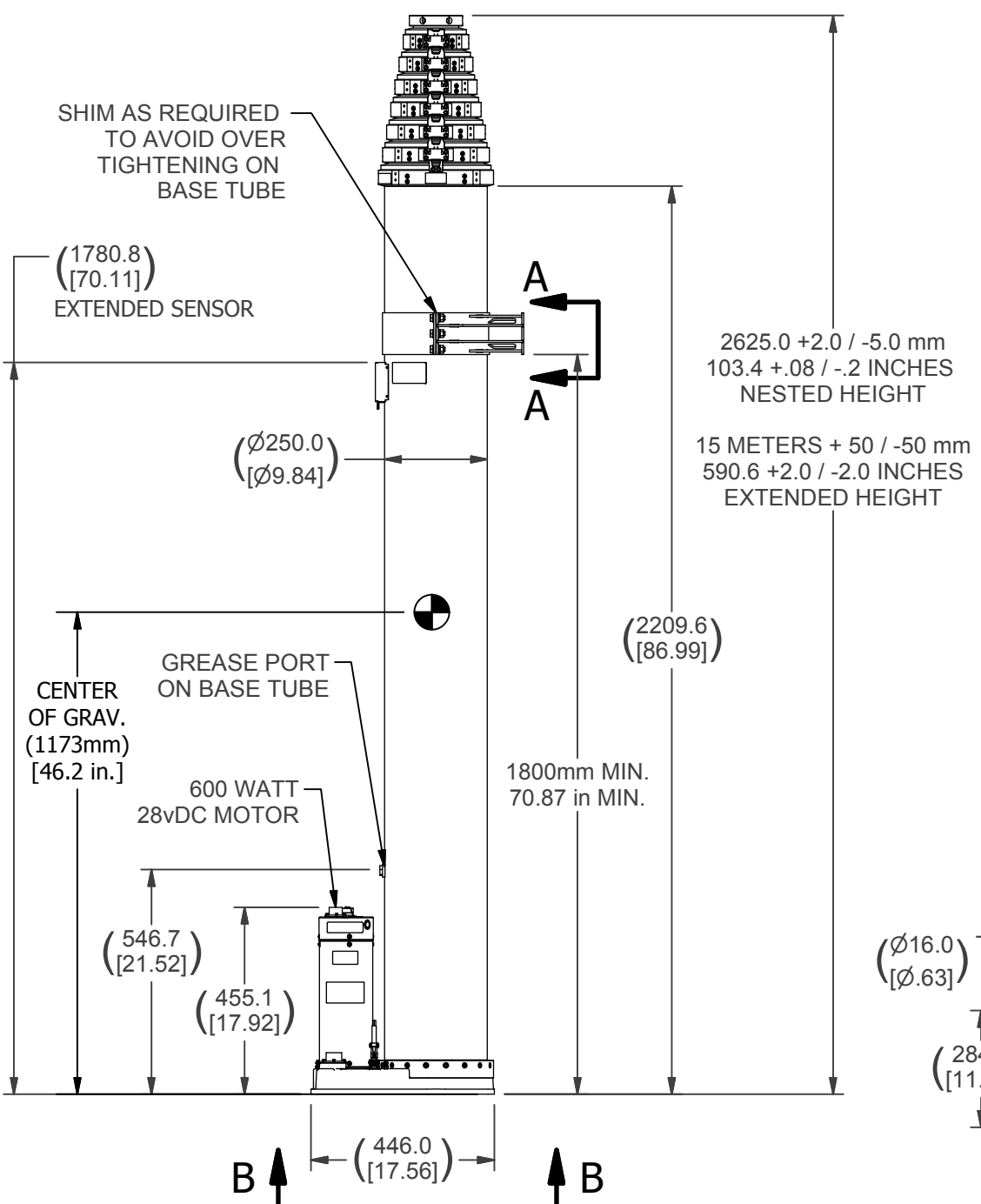
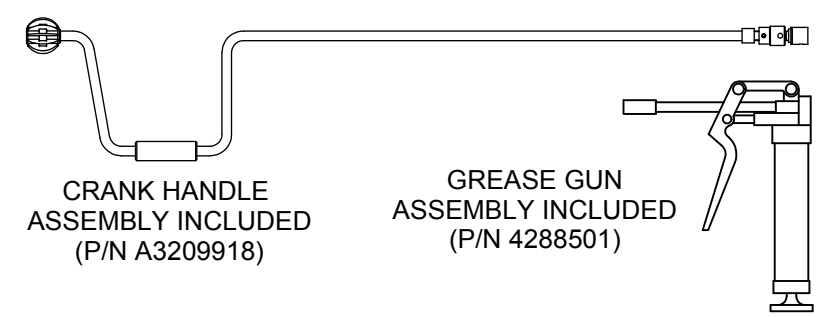


CUSTOMER INTERFACE DRAWING:
ECN 13591 REV. A - RELEASE DATE: 4-21-2017

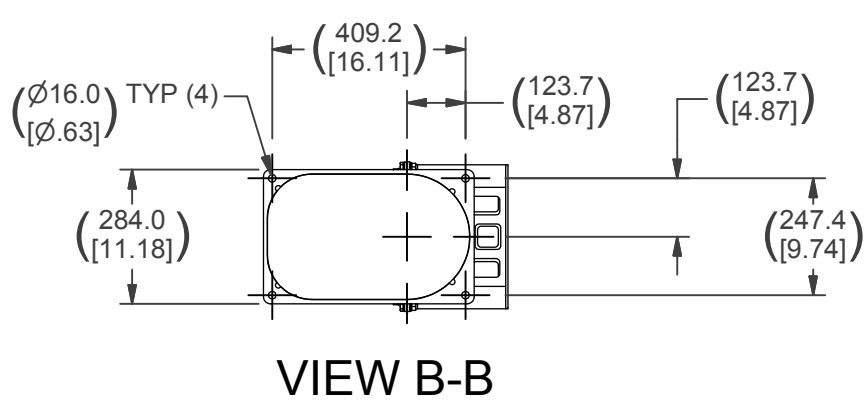
ITEM WEIGHTS:
MAST 2.63-15M STILETTO AL - 472 LBS. (214 Kg)
CONTROL BOX - 5.5 LBS. (2.5 Kg)
SUPPORT BRACKET - 18 LBS. (8.2 Kg)
3 METER CABLE (QTY 2) - 10 LBS. (4.5 Kg)



SUPPORT BRACKET INTERFACE



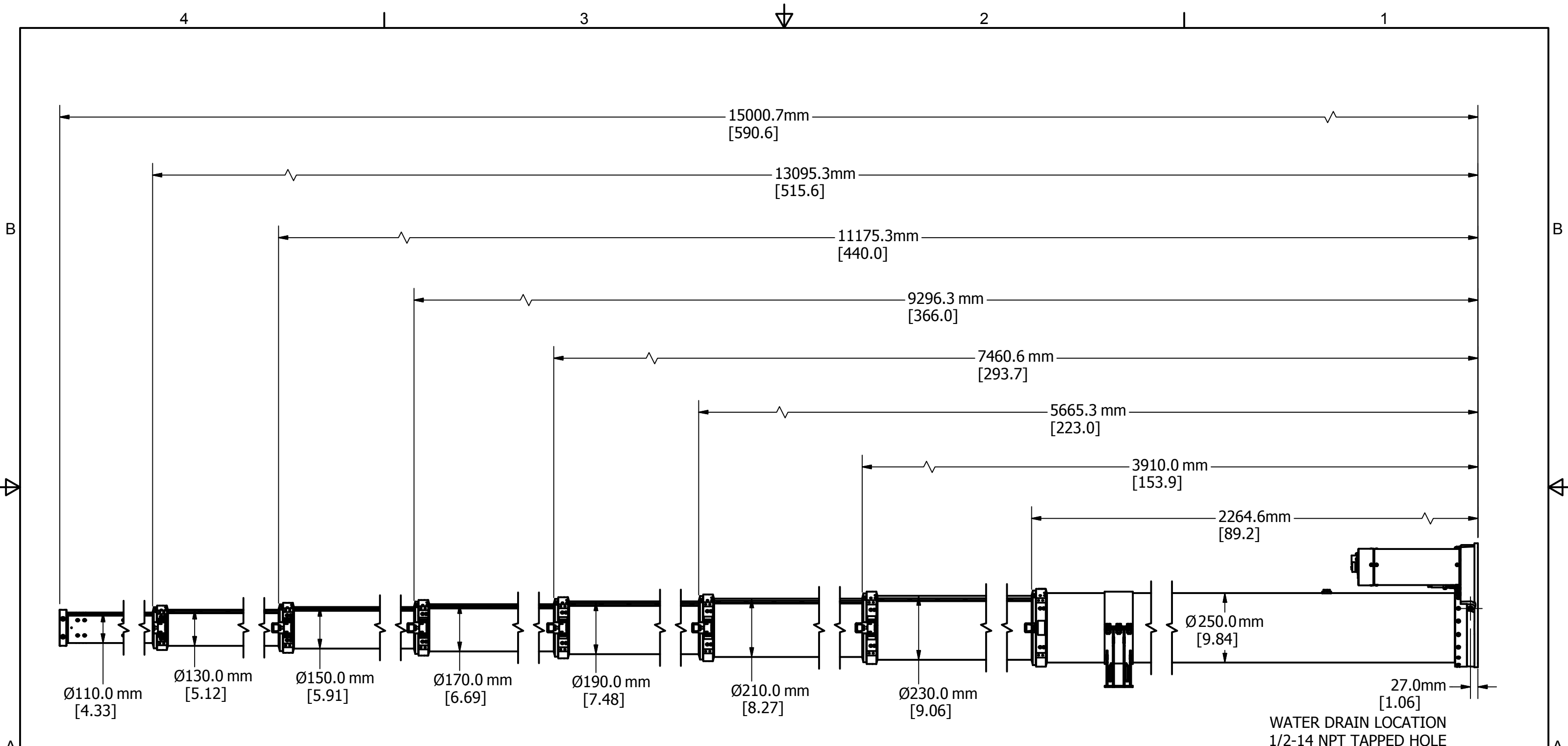
PAYLOAD ATTACHMENT INTERFACE DETAILS



VIEW B-B

- NOTES:
- CONTACT FACTORY FOR ALTERNATIVES TO THE DEPICTED INTERFACE.
 - THE SCREW REQUIRES PERIODIC LUBRICATION WITH A SUPER PREMIUM AEROSPACE LUBRICANT. A THREE FLUID OUNCE CARTRIDGE P/N: 4288601 IS AVAILABLE.
 - MAST INCLUDES 3 METERS (10ft) LONG MOTOR TO CONTROL CABLE (P/N 5433101) AND 3M (10ft) LONG MAST-SENSOR TO CONTROL CABLE (P/N 5433201); NOT SHOWN.
 - THE CONTROL BOX (P/N 4453901, NOT SHOWN) MUST BE ORDERED SEPARATELY. LOOSE POWER CONNECTOR (P/N 213075) INCLUDED.
 - "-XXXX" IN THE PART NUMBER DENOTES MAST FINISH. FOR A LIST OF FINISH OPTIONS, SEE "FINISH SPECIFICATION TABLE" AT WWW.WILLBURT.COM

MATERIAL: (ALUMINUM CONSTRUCTION)	PROPRIETARY AND CONFIDENTIAL THE INFORMATION CONTAINED IN THIS DRAWING IS THE SOLE PROPERTY OF THE WILL-BURT COMPANY ANY REPRODUCTION IN PART OR WHOLE WITHOUT THE WRITTEN PERMISSION OF THE WILL-BURT COMPANY IS PROHIBITED.	W3 AN EMPLOYEE OWNED COMPANY WILL-BURT ORRVILLE, OH	
FINISH: SEE NOTE 5	UNLESS OTHERWISE SPECIFIED DIMENSIONS ARE IN INCHES THIRD ANGLE PROJECTION	TITLE: STILETTO AL 2.63-15M CUSTOMER DRAWING	
DRAWING NOT TO SCALE		P/N: 711991591-XXXX	DATE: 3/30/2017
ALL DIMENSIONS AND PERFORMANCE PARAMETERS ARE PROVIDED FOR REFERENCE ONLY AND ARE SUBJECT TO CHANGE WITHOUT NOTICE.		APPROXIMATE WEIGHT: N/A	TUBE SET:
			DRAWN BY: DAJ
			REV: A



EXTENDED MAST, COLLAR HEIGHTS & TUBE DIAMETERS

MATERIAL:	PROPRIETARY AND CONFIDENTIAL THE INFORMATION CONTAINED IN THIS DRAWING IS THE SOLE PROPERTY OF THE WILL-BURT COMPANY ANY REPRODUCTION IN PART OR WHOLE WITHOUT THE WRITTEN PERMISSION OF THE WILL-BURT COMPANY IS PROHIBITED. UNLESS OTHERWISE SPECIFIED DIMENSIONS ARE IN INCHES THIRD ANGLE PROJECTION	W3 AN EMPLOYEE OWNED COMPANY WILL-BURT ORRVILLE, OH	
FINISH:		TITLE: STILETTO AL 2.1-10M CUSTOMER DRAWING	
DRAWING NOT TO SCALE		P/N: 711991591-EXTEND APPROXIMATE WEIGHT: N/A	DATE: 3/30/2017 TUBE SET:
ALL DIMENSIONS AND PERFORMANCE PARAMETERS ARE PROVIDED FOR REFERENCE ONLY AND ARE SUBJECT TO CHANGE WITHOUT NOTICE.			