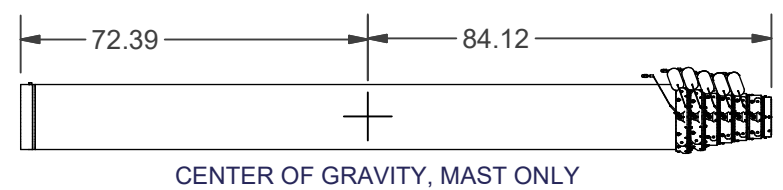
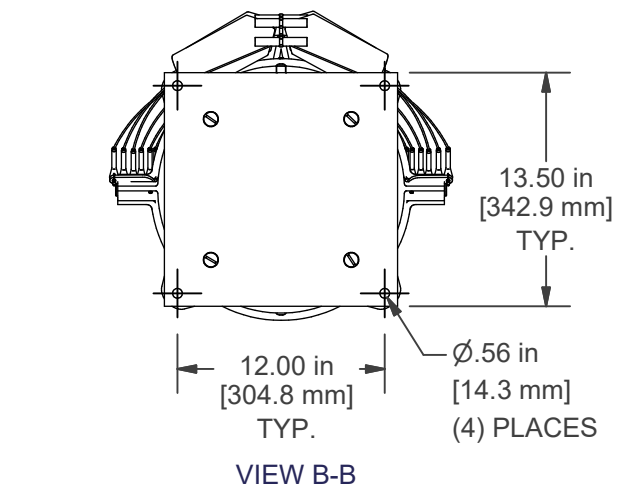
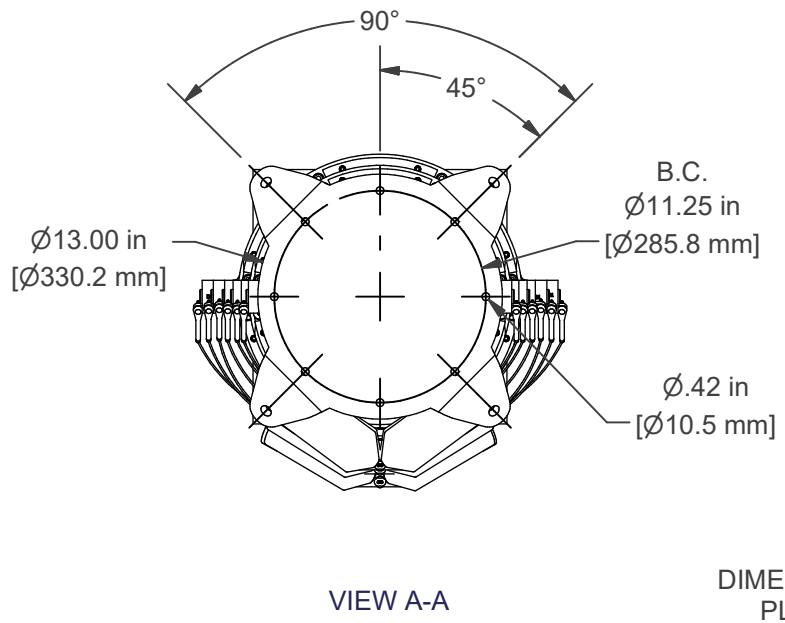
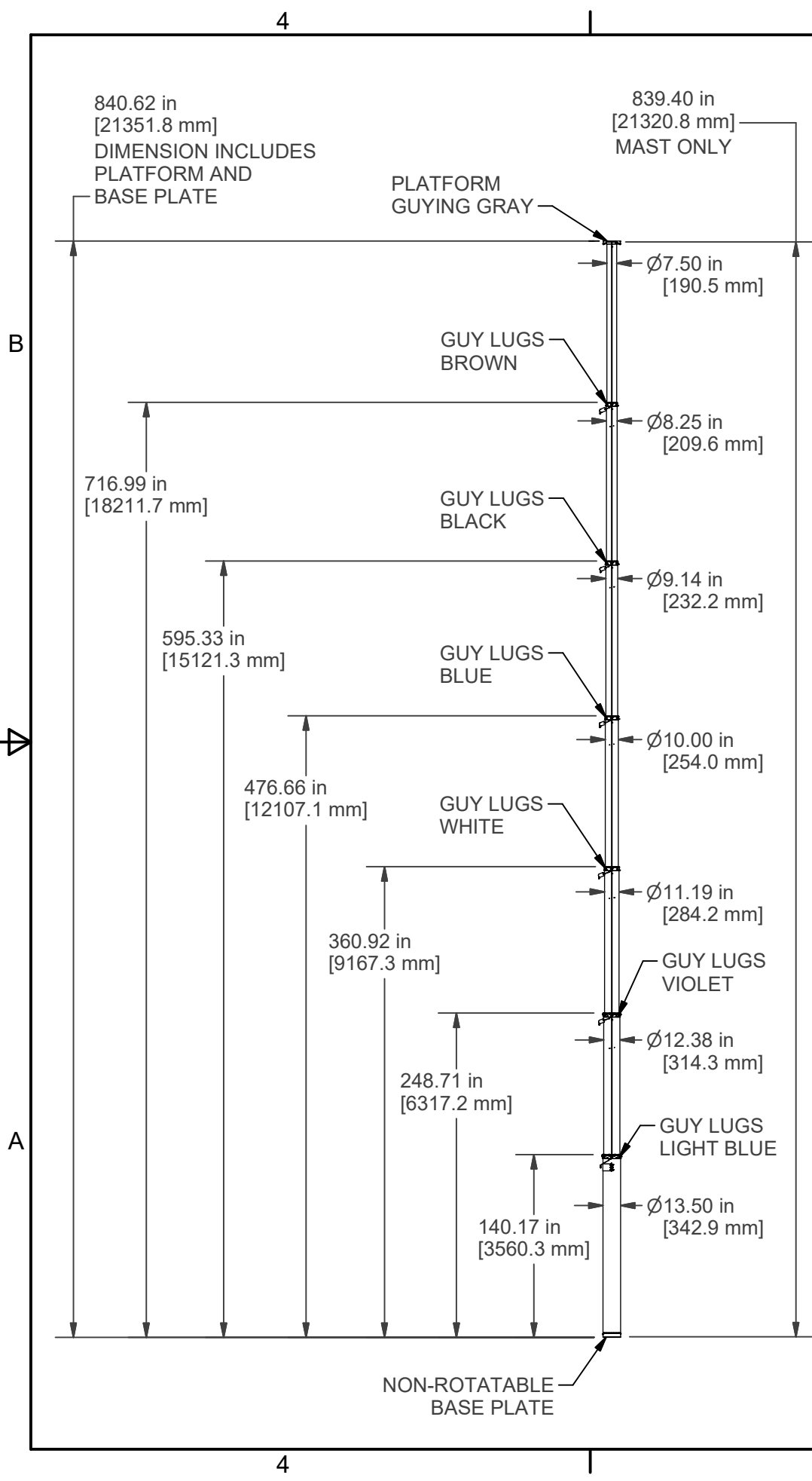
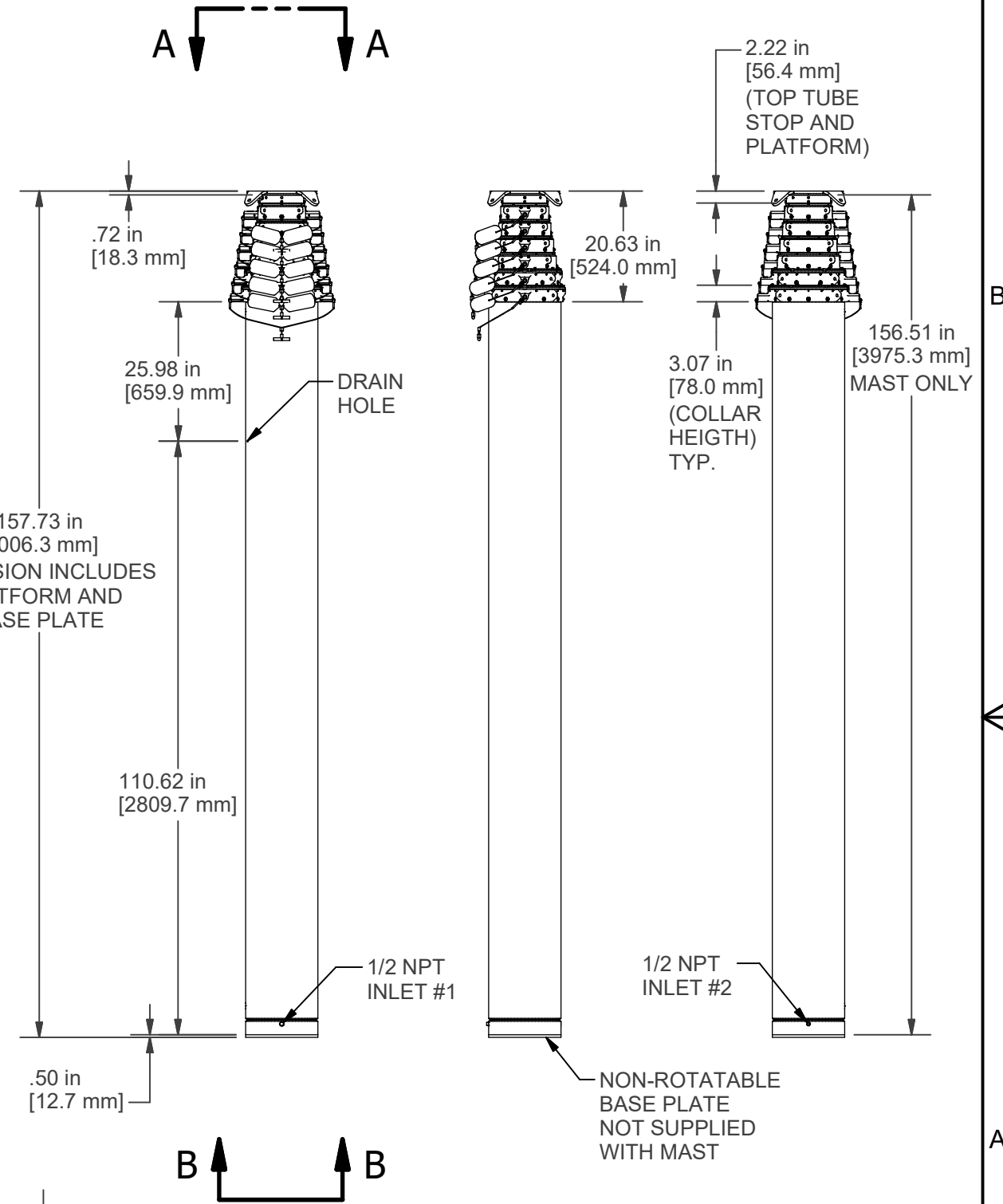


13-70' ULTRA HEAVY DUTY MAST INSTALLATION



THIS MAST IS EQUIPPED WITH SUPER PINS AND EXTERNAL WIPERS.
920 LB WEIGHT DOES NOT INCLUDE PLATFORM OR BASE PLATE.



FINISH: (BLACK ANODIZE PER MIL-A-8625F, TYPE II W/ ELECTROLYTIC COLOR TWO STEP PROCESS)		PROPRIETARY AND CONFIDENTIAL THE INFORMATION CONTAINED IN THIS DRAWING IS THE SOLE PROPERTY OF THE WILL-BURT COMPANY ANY REPRODUCTION IN PART OR WHOLE WITHOUT THE WRITTEN PERMISSION OF THE WILL-BURT COMPANY IS PROHIBITED.		W3 AN EMPLOYEE OWNED COMPANY ORRVILLE, OH	
DRAWING NOT TO SCALE		UNLESS OTHERWISE SPECIFIED DIMENSIONS ARE IN INCHES		TITLE: PNEU MAST 13-70' UHDL EW CUSTOMER DRAWING	
ALL DIMENSIONS AND PERFORMANCE PARAMETERS ARE PROVIDED FOR REFERENCE ONLY AND ARE SUBJECT TO CHANGE WITHOUT NOTICE.		THIRD ANGLE PROJECTION		P/N: 710907090	DATE: 7/26/2016
				APPROXIMATE WEIGHT: 920 lbs. [417 kg]	TUBE SET: Ø13-1/2" TO Ø7-1/2"
				REV F	DRAWN BY: msmith