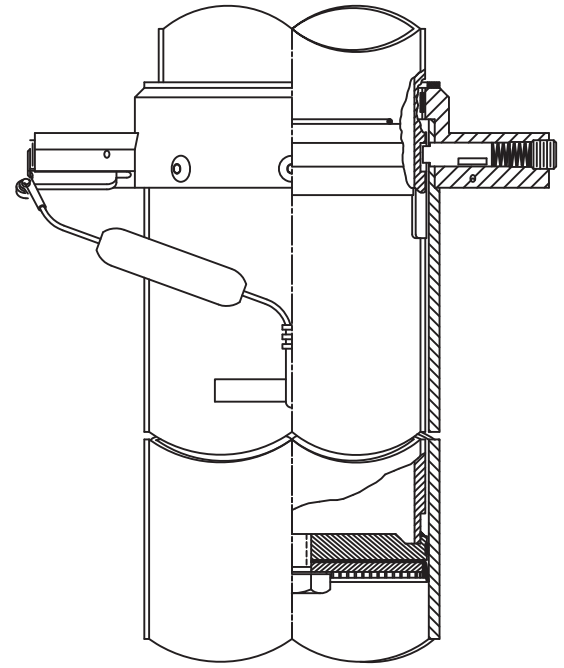
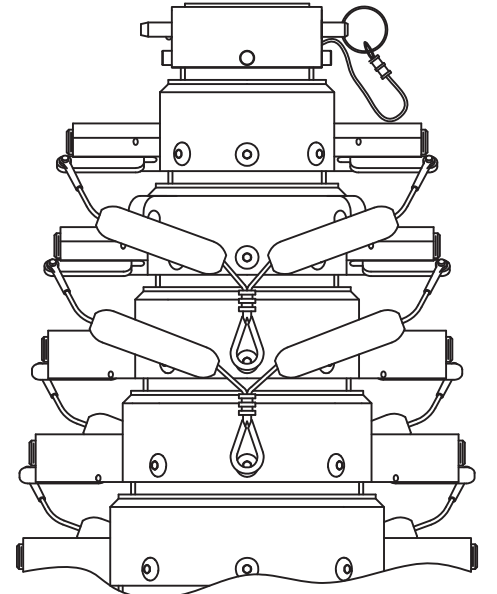
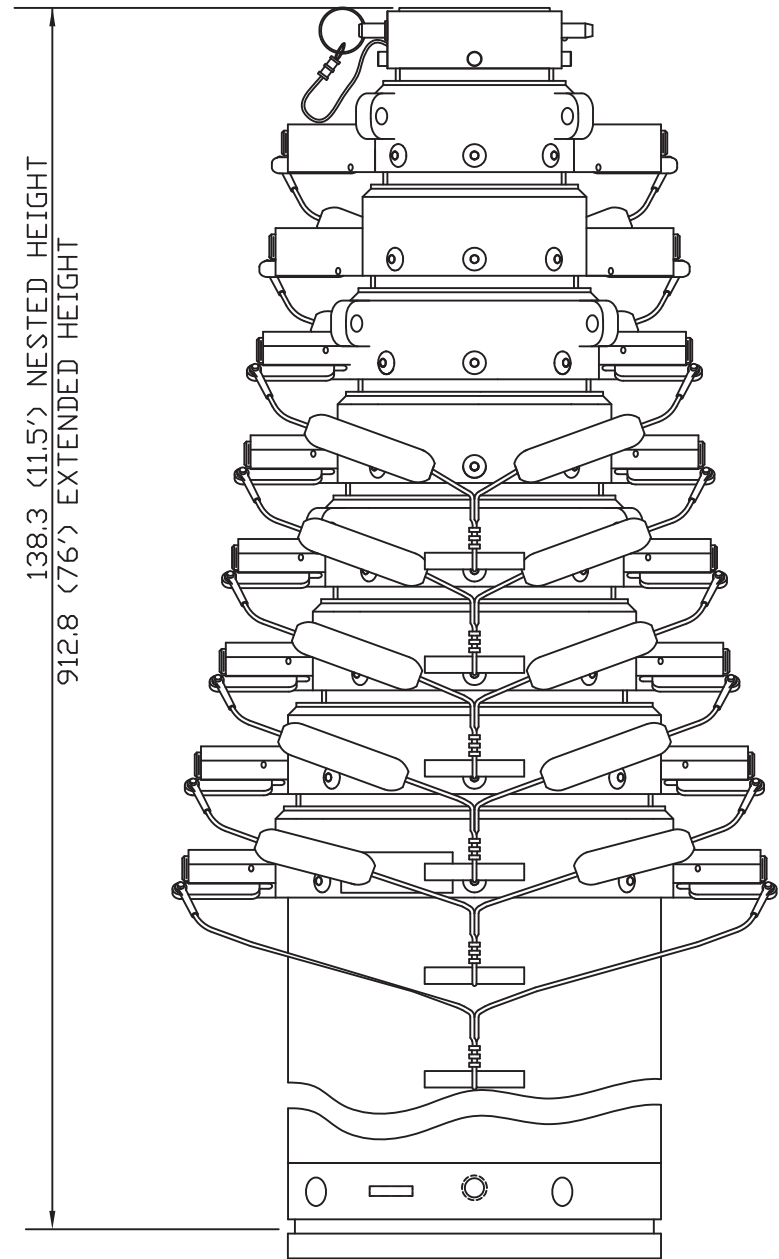


REVISIONS				
ECN	REV	DESCRIPTION	DATE	BY/APPVL
9464	00	NEW RELEASE	3/23/09	RRM/
9477	A	DELETE 909427	4/6/09	RRM/
10124	B	4084003 WAS 905505	7/22/10	MS/



FRONT VIEW OF MAST



REAR VIEW OF MAST

11

MATERIAL SEE BOM ABOVE	UNLESS OTHERWISE SPECIFIED DIMENSIONS ARE IN INCHES TOLERANCES ON: DECIMALS 0 = ± 00 = ± 000 = ± FRACTIONS * BREAK ALL SHARP CORNERS 125 ON ALL MACHINED SURFACES	THIS DOCUMENT CONTAINS PROPRIETARY INFORMATION AND SHALL NOT BE USED OR REPRODUCED OR ITS CONTENTS DISCLOSED IN WHOLE OR IN PART WITHOUT THE PRIOR WRITTEN CONSENT OF THE WILL-BURT COMPANY.	WILBURT AN EMPLOYEE OWNED COMPANY ORRVILLE, OHIO	
			NEXT ASS'Y DESC. PNM 11.5-76 SHDL ROTATABLE	
FINISH CLEAR ANODIZED - REF		SIGNATURE DR. BY RRM CK. BY APP. BY	DATE 3-23-09	SIZE DWG. No. B 710607601
				SCALE - 710607601 SHEET 1 OF 1