

LOCKING AND NON-LOCKING SUPPORT BRACKET INSTALLATION

4.00 in
[101.6 mm]
RECOMMENDED

1.00 in
[25.4 mm]
MINIMUM

11.25 in
[285.8 mm]

DO NOT BLOCK DRAIN HOLE.
A DRAIN KIT IS SUPPLIED
WITH MAST.

A

8.00 in
[203.2 mm]

6.13 in
[155.6 mm]

1.50 in
[38.1 mm]

6.00 in
[152.4 mm]

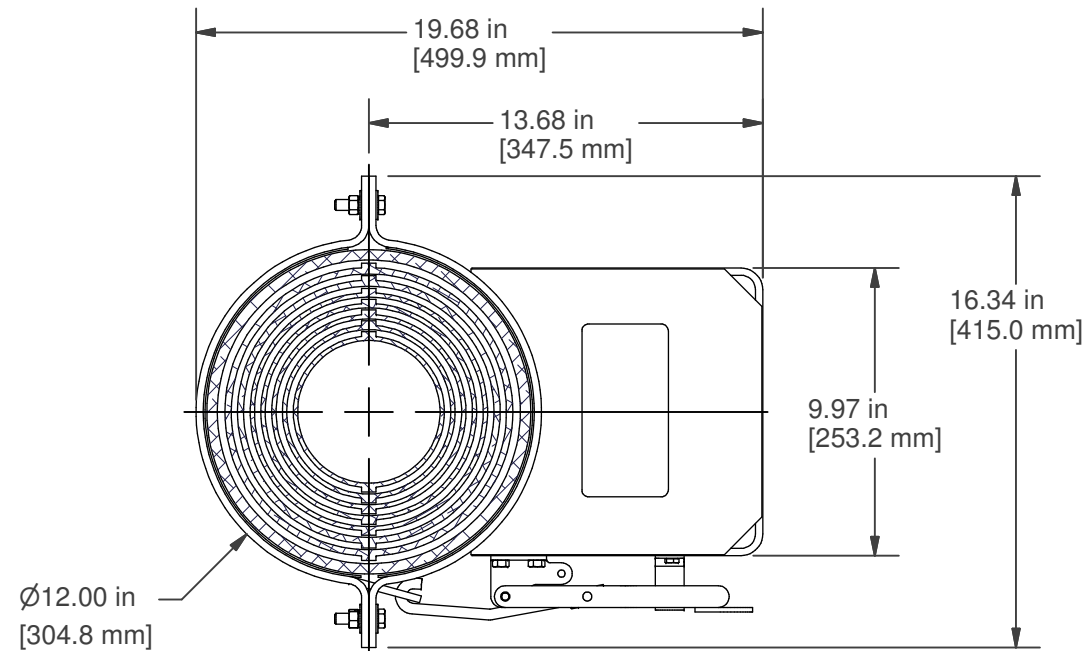
3.00 in
[76.2 mm]

1.50 in
[38.1 mm]


Ø.563 in
[14.3 mm]
(6) PLACES

SUPPORT
BRACKET

THE SAMPLE MAST SHOWN IS A
10.3-60 SUPER HEAVY DUTY LOCKING MAST.
THESE INSTALLATION INSTRUCTION ARE
THE SAME FOR ANY LOCKING OR
NON-LOCKING SUPER HEAVY DUTY MAST.



SECTION A-A

FINISH REFERENCE TABLE	
PART NUMBER	FINISH
909984	BLACK POWDER PAINT
914908	OLIVE GREEN PAINT
4163301	DESERT TAN CARC CHIP #33446
4163302	TAN PAINT CHIP #30219
PROPRIETARY AND CONFIDENTIAL	
THE INFORMATION CONTAINED IN THIS DRAWING IS THE SOLE PROPERTY OF THE WILL-BURT COMPANY ANY REPRODUCTION IN PART OR WHOLE WITHOUT THE WRITTEN PERMISSION OF THE WILL-BURT COMPANY IS PROHIBITED.	
 AN EMPLOYEE OWNED COMPANY ORRVILLE, OH	
TITLE: PNEUMATIC MAST INSTALLATION DIMENSIONS	
DESCRIPTION: SUPER HEAVY DUTY SUPPORT BRACKET	
UNLESS OTHERWISE SPECIFIED DIMENSIONS ARE IN INCHES	
ALL DIMENSIONS ARE REFERENCE	
THIRD ANGLE PROJECTION	
APPROXIMATE WEIGHT:	DATE:
41 LBS	10/7/2013
DRAWN BY:	REV
msmith	E