
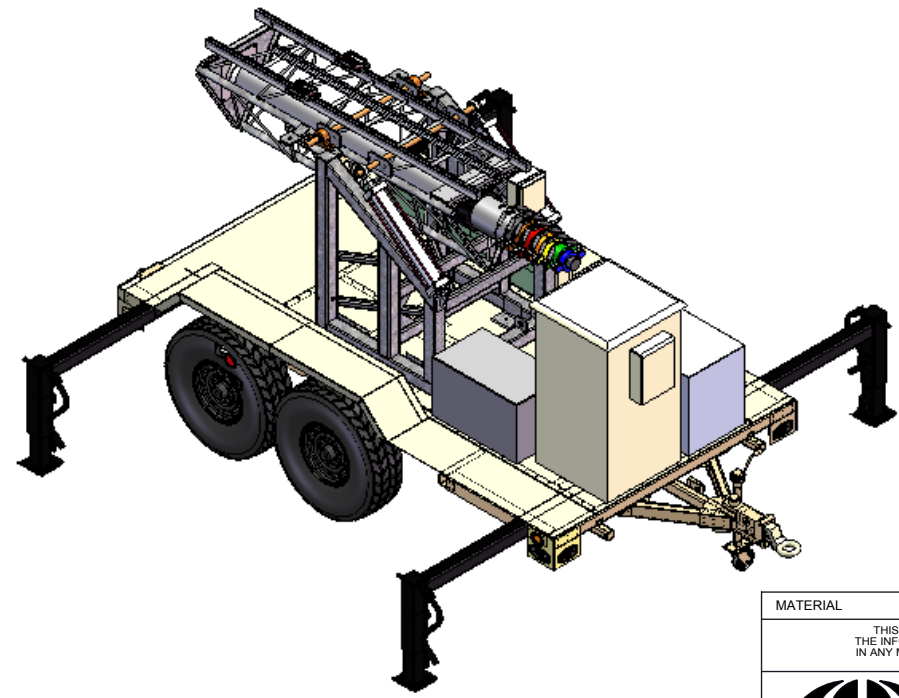
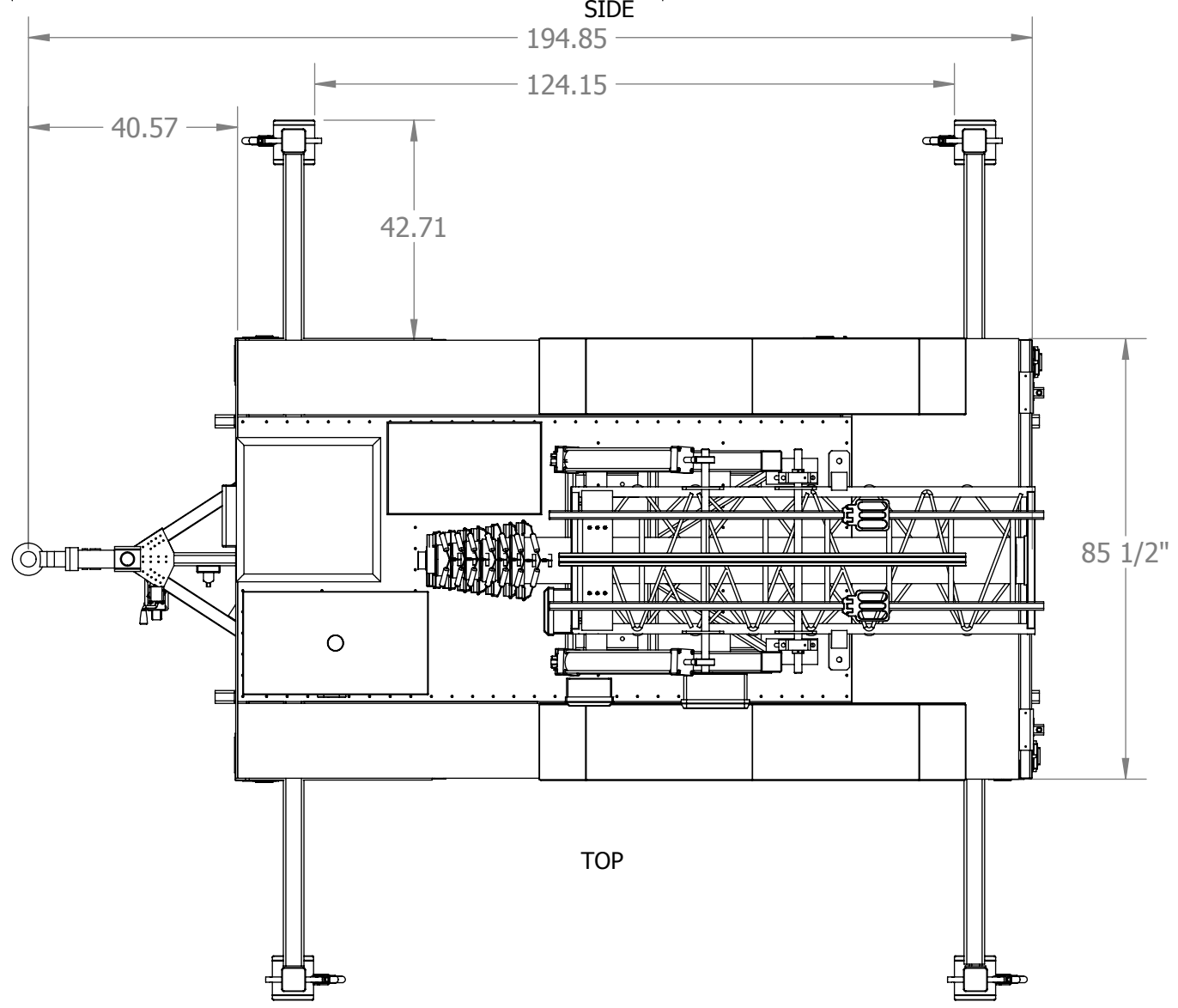
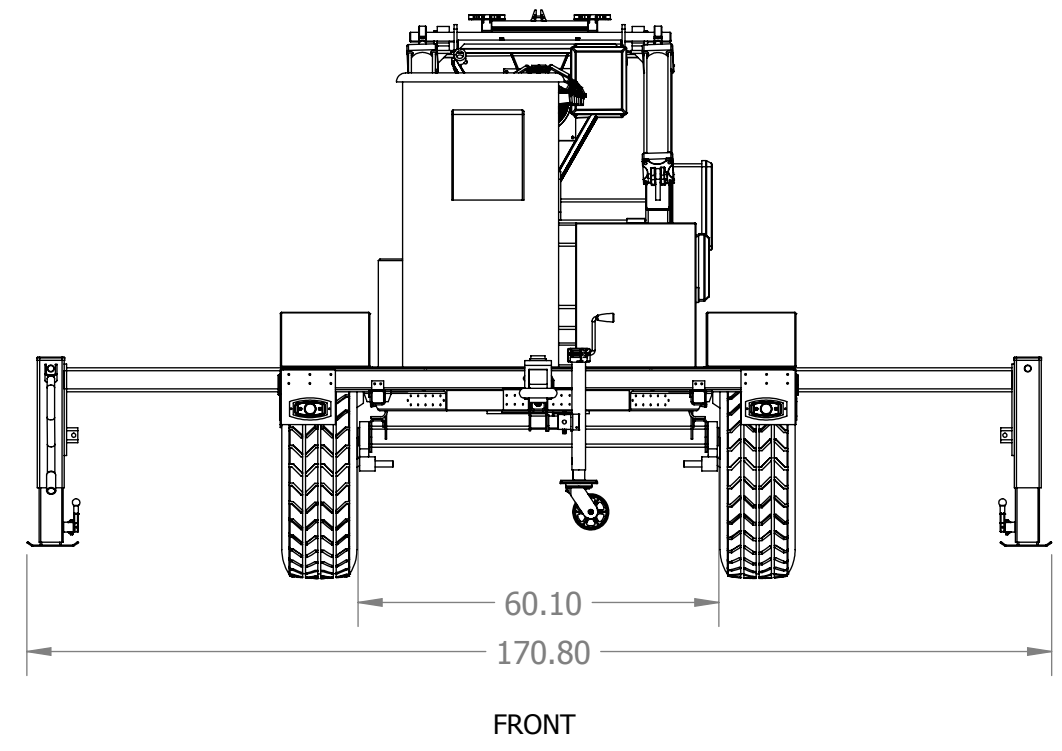
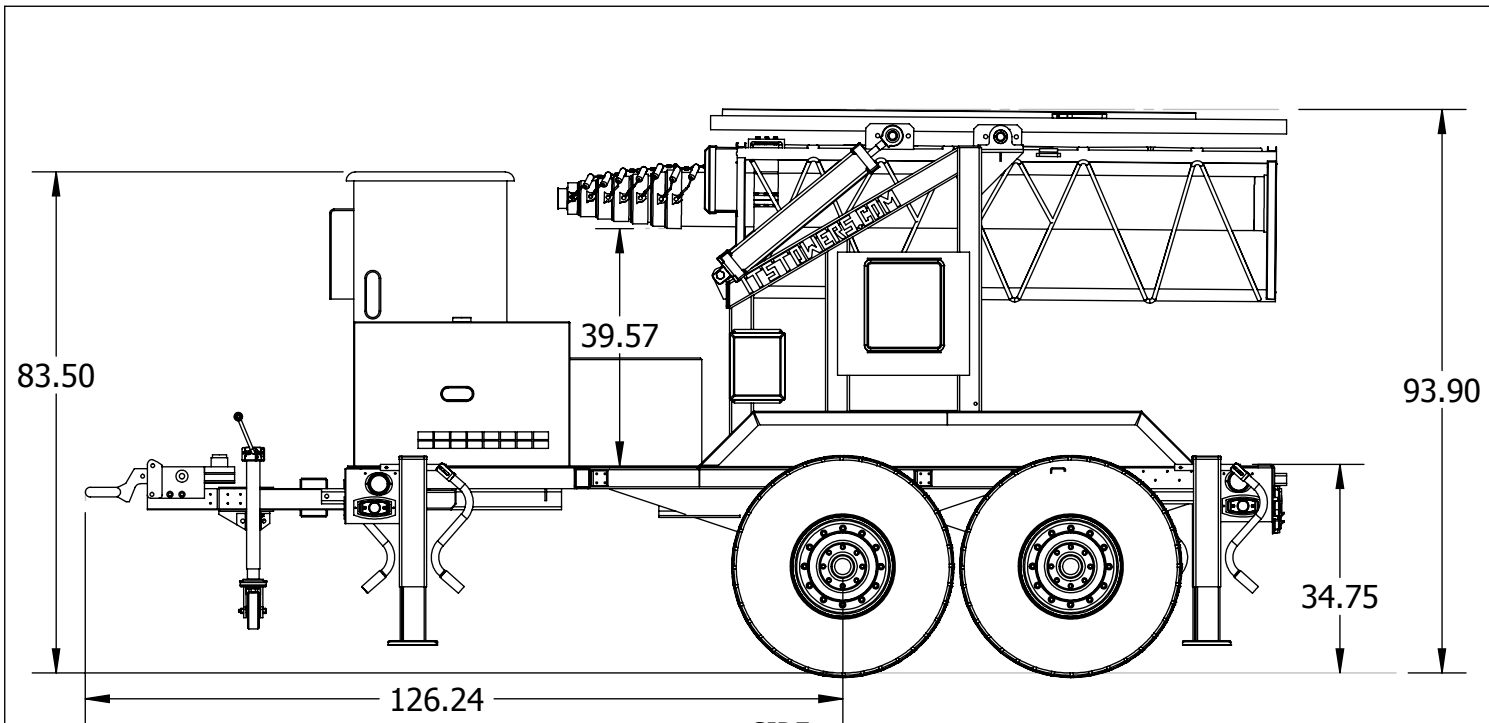


MATERIAL		A36 STEEL			
THIS DRAWING IS THE PROPERTY OF INTEGRATED TOWER SYSTEMS. THE INFORMATION HEREIN SHALL NOT BE REPRODUCED OR TRANSFERRED IN ANY MANNER OR USED OR DISCLOSED TO OTHERS FOR ANY PURPOSES, EXCEPT AS SPECIFICALLY AUTHORIZED IN WRITING BY ITS.					
		INTEGRATED		ITS	
		TOWER		SYSTEMS	
<small>REMOVE BURRS & BREAK ALL SHARP EDGES, UNLESS OTHERWISE SPECIFIED DIMENSIONS IN INCHES.</small>		<small>DRAWN BY:</small> JFH	<small>TITLE:</small> RD SERIES (S-AXLE)	<small>WWW.ITSTOWERS.COM</small> 918-749-8535	
<small>TOLERANCES:</small> FABRICATION: ±.116 MACHINING: ±.164 FINISH: ±.005	<small>CHECKED BY:</small> CC	<small>DRAWING #</small> RD-S/60	<small>APPROVED BY:</small> CC	<small>DATE</small> 11/28/2012	<small>SCALE</small> 1:32
<small>DECIMALS:</small> 				<small>SHEET</small> 1 OF 1	



ISO VIEW
SCALE 1:48

MATERIAL		STEEL			
THIS DRAWING IS THE PROPERTY OF INTEGRATED TOWER SYSTEMS. THE INFORMATION HEREIN SHALL NOT BE REPRODUCED OR TRANSFERRED IN ANY MANNER OR USED OR DISCLOSED TO OTHERS FOR ANY PURPOSES, EXCEPT AS SPECIFICALLY AUTHORIZED IN WRITING BY ITS.					
		DRAWN BY:		TITLE:	
		JFH		RD-T	
CHECKED BY:		DRAWING #		SHEET	
CC		RD-T 03062013		1 OF 1	
APPROVED BY:		DATE	SCALE	SHEET	
CC		03/06/2013	1:32	1 OF 1	
<small> REMOVE BURRS & BREAK ALL SHARP EDGES, UNLESS OTHERWISE SPECIFIED DIMENSIONS IN INCHES. TOLERANCES: FABRICATION: ±.116 MACHINING: ±.164 FRACTIONS: ±.164 FINISH: ±.005 DECIMALS: </small>					