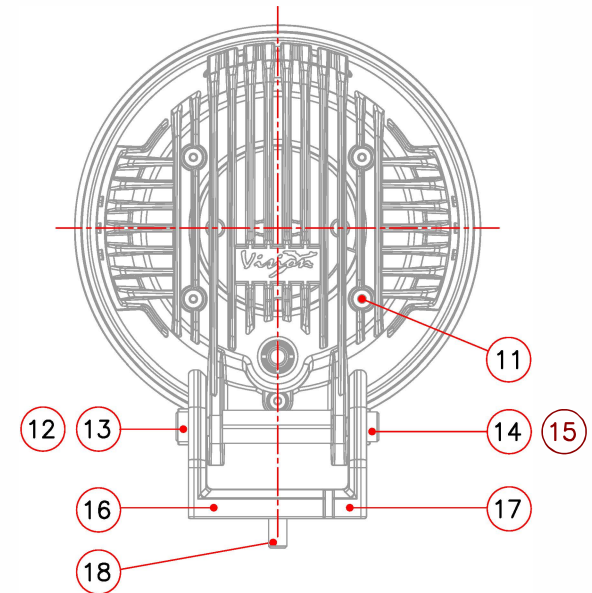
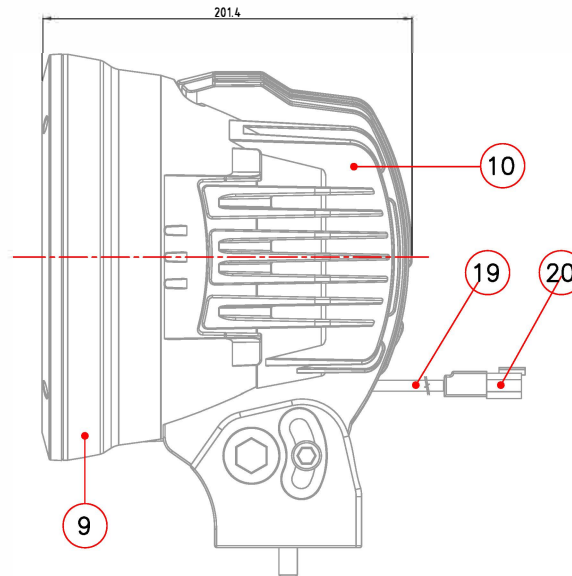
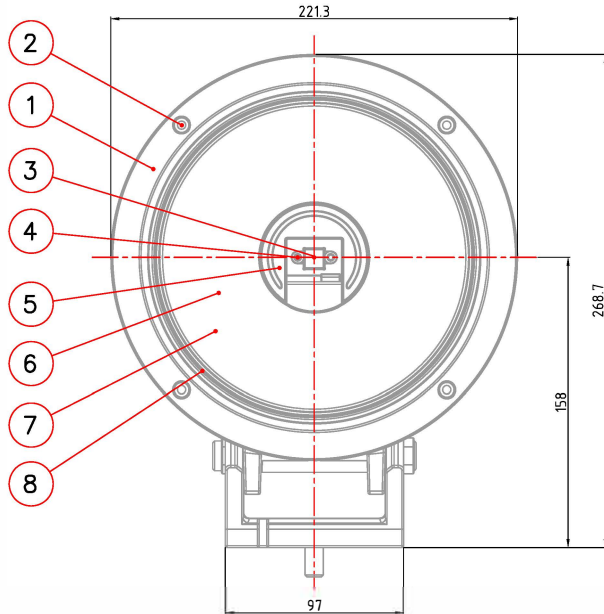
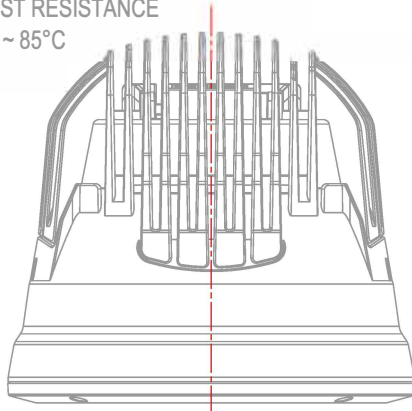
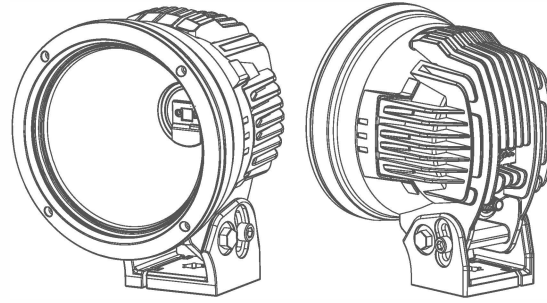


[SPECIFICATION]

1. OPERATING VOLTAGE : DC 9V ~ 32V
2. WATTAGE : 90W
3. LED : CBT-140 (LUMINUS)
4. LUMINOUS FLUX : 3,325 (lm)
5. REFLECTOR : PC (SPOT)
6. WEIGHT : 4.7 (kg)
7. VIBRATION : 21 (Gms)
8. WEATHER PROOF & DUST RESISTANCE
9. TEMPERATURE : -40 °C ~ 85°C
10. LIFE : 50,000 (Hr)
11. IP RATING : IP68



20	DEUTSCH-2P	RECEPTACLE:DT04-2P-E004/TERMINAL:1060-16-0122/WEDGE:W2P)	1	
19	WIRE	AWG14/280mm (100mm/180mm)	1	
18	BOLT	HEX/SUS304/M10X40(NYLOK)	1	
17	BASE-BRKT(L)	ZNDC2 (LIQUID-COATING)	1	
16	BASE-BRKT(R)	ZNDC2 (LIQUID-COATING)	1	
15	BOLT	ALLEN/SUS304/M10X30(NYLOK)	2	
14	WASHER	이볼이 M10 (1T/SUS)	4	
13	WASHER	이볼이 M10 (1T/SUS)	4	
12	BOLT	HEX/SUS304/M10X30(NYLOK)	2	
11	BOLT	ALLEN/SUS304/M4X12/BLK/(NYLOK)	5	
10	HEAT-SINK(R)	ALDC10 (AKZO-NOBEL)	1	
9	BODY	PC+GF30% (BLK-SPRAY)	1	
8	SEAL-TUBE	SILICONE (40)	1	
7	PC-COVER	PC(CLEAR/3.0T)	1	
6	REFLECTOR	PC(Vacuum Evaporation Coating)	1	
5	LED-PCB COVER	PC	1	
4	COVER FIX-BOLT	PEEK/M3X10	2	
3	LED-PCB	LUMINUS (CBT-140) / 90W	1	
2	BOLT	ALLEN/SUS304/M4X12/BLK(NYLOK)	4	
1	TOP-COVER	ALDC10 (AKZO-NOBEL)	1	
NO	PARTS NAME	SPEC (FINISHING)	Q'TY	REMARK

UNIT	mm	DRAWING	CHECK	APPROVAL	TITLE EXTERNAL-VIEW [FT-LC-8]
TOL.	±0.2	S.GPARK			
SCALE	1:1				
DATE	2014.04.25	2014.04.25			
FIRETECH FIRE LED LIGHTING					DRAWING NO. VX-BD-0000-0